

# Recalibration & Maintenance Guide

for CJC® Oil Contamination Monitor, OCM 15

incl. guide for inspection of strainer

The CJC® Oil Contamination Monitor, OCM15 sensor module is a high precision instrument for measurement of particles and water in oil. To ensure the reliability and functionality of the unit, it is necessary to recalibrate the sensor module at **least every second year**.

## Procedure - how to:

Please, see video guide:

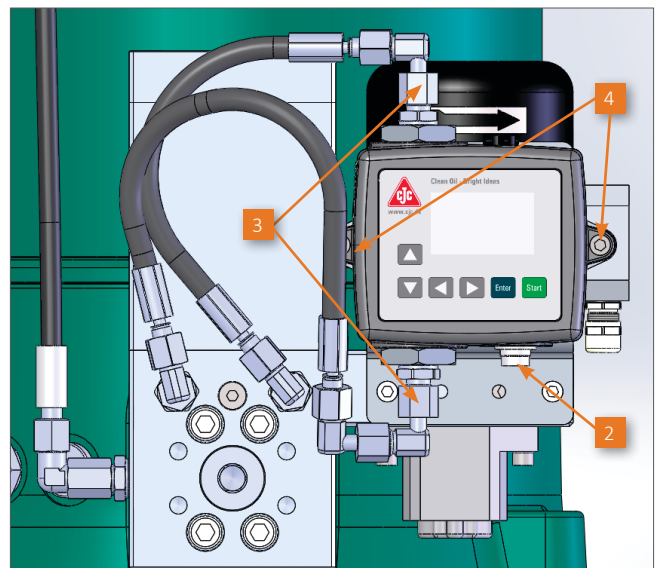
- at [www.cjc.dk/OCM](http://www.cjc.dk/OCM)
- or scan this code 
- or follow instructions



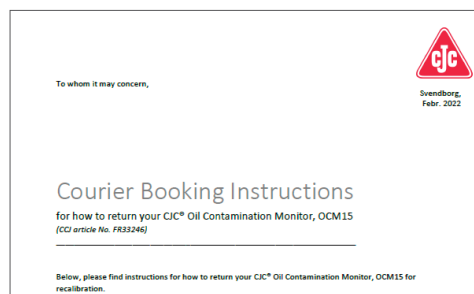
Box containing the new/calibrated CJC® OCM15 sensor module (used as a return box as well)

### How to replace the CJC® OCM15 sensor module:

- 1 Turn off the power to the CJC® Oil Filter system.
- 2 Disconnect power/communication cable from the sensor module - use hand only.
- 3 Disconnect inlet and outlet hoses.
- 4 Dismount the sensor module from the bracket - unscrew the two bolts.
- 5 The box containing the new/calibrated CJC® OCM15 sensor module is used for returning the old sensor module to C.C.JENSEN.
- 6 Remove the new/calibrated sensor module and place the old one in the box.
- 7 Close the box and seal with sticker/tape (**enclosed in the box**).
- 8 Return freight label(s) must be required from our Shipping Department in Denmark. Follow the **"Courier Booking Instructions"** placed in the box (see picture of letter to the right). (*Shipping costs are included in the recalibration cost*).
- 9 Mount the new/calibrated sensor module onto the bracket with the two bolts.
- 10 Connect inlet and outlet hoses.
- 11 Connect power/communication cable to the sensor module - use hand only.
- 12 Turn on the power to the CJC® Oil Filter system.



Guideline overview



Letter with "Courier Booking Instructions" from C.C.JENSEN Shipping Dept - to be found in the box.

# Recalibration & Maintenance Guide

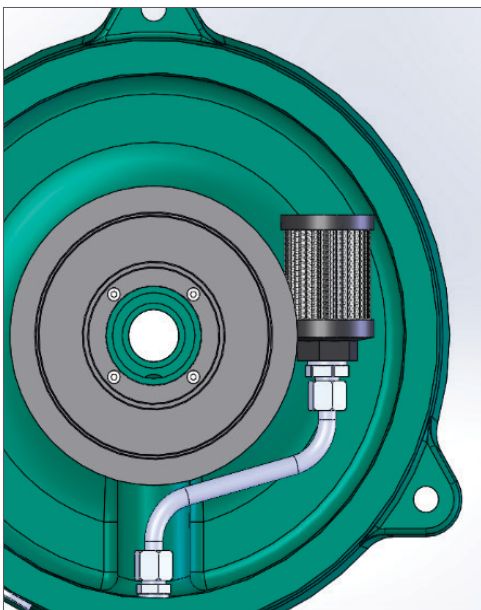
for CJC® Oil Contamination Monitor, OCM 15  
incl. guide for inspection of strainer

## Inspection of strainer condition

Depending on the CJC® Oil Filter configuration, the strainer is located either in the bottom of the filter housing or on the inlet pipe of the CJC® OCM15.

### Strainer- located inside housing (OCM15 mounted directly on filter housing)

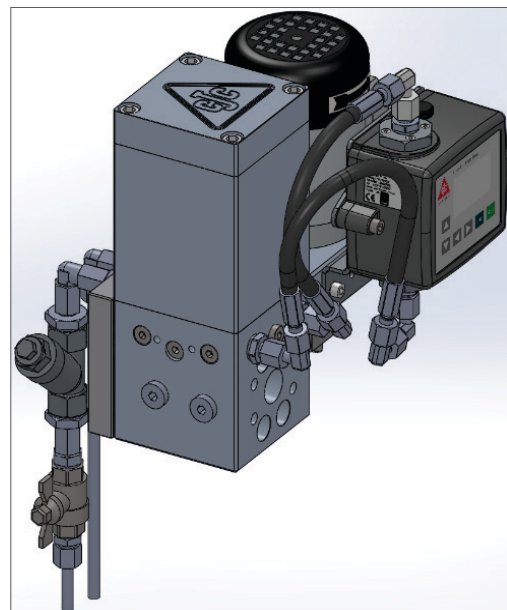
- 1 Drain off the filter housing and remove filter inserts
- 2 Loose nut and remove pipe and strainer for inspection
- 3 If the strainer is dirty, clean it using suitable solvent
- 4 Mount strainer and reassemble filter housing (replace CJC® Filter inserts, if necessary).



Strainer - located inside housing

### Strainer- located on inlet pipe (remotely located OCM15)

- 1 Close valve upstream of strainer
- 2 Loose cap nut and remove strainer for inspection
- 3 If the strainer is dirty, clean it using suitable solvent and reassemble
- 4 Re-open valve at the strainer



Strainer - located on inlet pipe