



OIL MAINTENANCE

# Tank Adaptor with Air Filter

for easy Emptying and Filling of Oil and for Installation of CJC™ Off-line Filters

## CJC™ Product Sheet - Accessories

### APPLICATION

The CJC™ Tank Adaptor with Air Filter is equipped with 2 quick release couplings for installation.

Recommended for tank systems with 6-holed flange mounted at top of the tank - see below sketch.

The suction hose can be cut to the required length in order to draw oil from the lowest point of the tank.

### FUNCTION

Makes it easy to install CJC™ Off-line Filters when there is no drain point from the main oil tank.

### IDENTIFICATION

To order the CJC™ Tank Adaptor with Air Filter, please use:

**Article No: FD33306**

- AH Tank Adaptor
- w/Quick Release Couplings 1/2" including Air Filter
- Option for alternative size of couplings

**Replacement of Air Filter:**

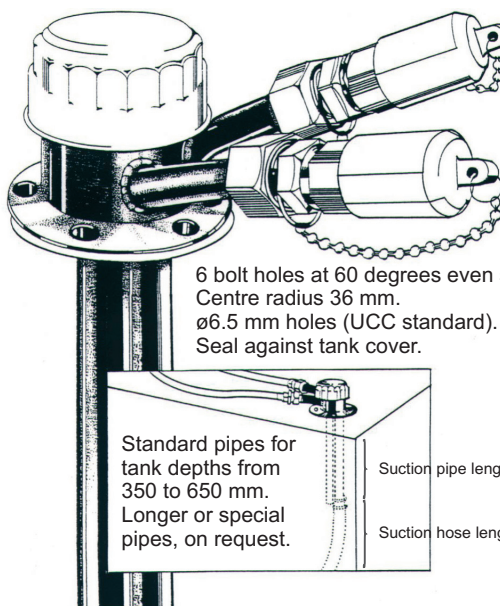
**Article No: FD35262**

- Air Filter UCC 4930 for Tank Adaptor



*The CJC™ Tank Adaptor with Air Filter.*

1" filler / breather cap with 5 micron (ARL) or 7 micron (Fine Filter) air filter.



Plastic tap, identifying suction connection (pipe from tank bottom).

1/2" quick release couplings and protector caps are standard. Other types of couplings on request.

6 bolt holes at 60 degrees even spread.  
Centre radius 36 mm.  
ø6.5 mm holes (UCC standard).  
Seal against tank cover.

Standard pipes for tank depths from 350 to 650 mm. Longer or special pipes, on request.

Suction pipe length: 305 mm

Suction hose length: 355 mm